



# X102

## Video processor

# Specifications

V1.1

# X102 Processor

## Revision History

Document Version	Hardware Version	Revision Date	Note
V1.0	V1.6.13	2023/09	New edition

## Overview:

X102 designed for small fixed installation LED screen, which is a cost-effective all-in-one video processor. It integrates sender, video processor and supports USB-flash-drive plug and play. It supports up to 1.3 million pixels: up to 3840 pixels horizontally or 1920 pixels vertically

## Functions and features:

1. With two outputs, supports up to 1.3 million pixels;
2. Supports up to 3840 pixels horizontally or 1920 pixels vertically;
3. Up to 100 scene can be saved, and 10 quick paths for calling scenes;
4. Supports USB-flash-drive plug and play;
5. Supports video source hot-backup;
6. Supports switching signal; switching scene instantly; switching audio and video simultaneously;

7. Support audio in/out;
8. Supports brightness adjustment;
9. Supports freeze function;
10. Supports both cable and USB upgrade;
11. Various input: 2HDMI1.3, 1 DVI, 1 VGA, 1 CVBS;
12. Can be set up by network cable and typc-C cable;
13. Supports schedule table;
14. Settings can be backed up by USB flash drive;
15. Settings can be restored by USB flash drive;
16. Supports issuing license;
17. Supports testing and displaying network output connection .

## Appearance:



Front



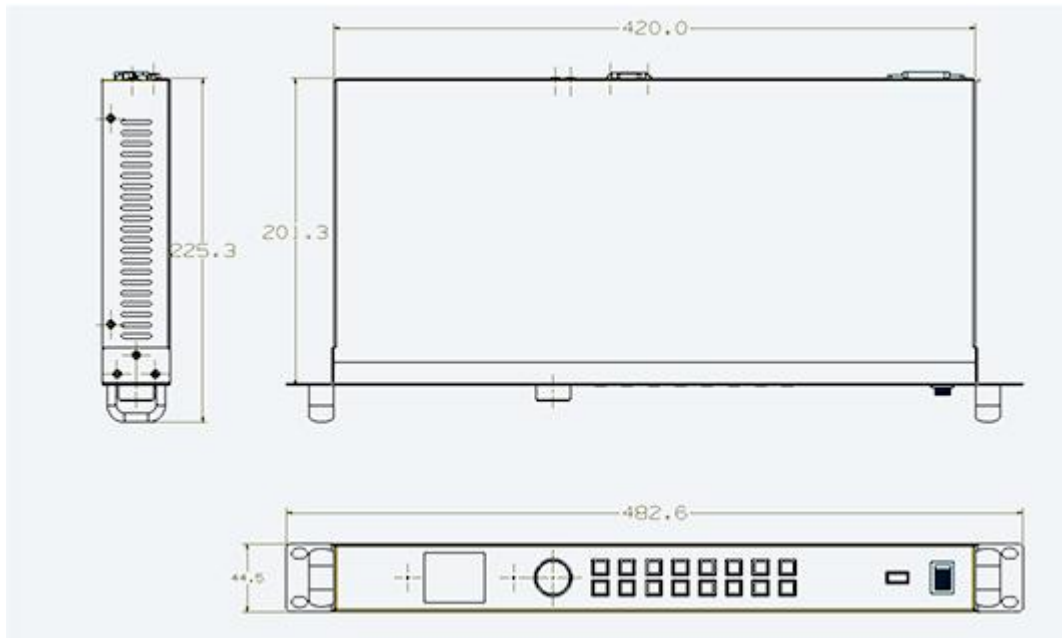
No	Function
1	LCD monitor for displaying menu and current working status
2	Control knob for selection and confirmation
3	Menu for entering main menu
4	Esc for exiting current interface or status
5	Scene for enter scene setting interface directly
6	Scale/Number 1/Letter ABC
7	☀(Brightness control)/Number 2/Letter DEF
8	DVI selection/Number 3/Letter GHI
9	HDMI1selection/Number 4/Letter JKL
10	HDMI2 selection/Number 5/Letter MNO
11	▶/  , Play/Pause
12	Del, delete
13	Take for confirming switching scene
14	Freeze/Number 6/Letter PQR
15	Audio adjustment/Number7/Letter STU
16	VGA selection/Number8/Letter VWX
17	CVBS selection/Number9/Letter YZ
18	USB flash drive selection/Number0/symbol +-*/
19	USB connector for upgrading
20	CONTROL port(serial port)
21	PLAY port(USB) USB port, USB flash drive play mode, format supported Picture format:: jpg, jpeg, png, bmp Video format:: mp4, avi, mpg, mov and rmvb
22	Power switch

Rear



No	Function
1	~100-240V power port
2~3	HDMI input, HDMI1.3, supports up to 1920*1080@60Hz, and backward compatible
4	VGA input, supports up to 1920*1080@60Hz, and backward compatible
5	DVI input, VESA, supports up to 1920*1080@60Hz, and backward compatible
6	CVBS input, PAL/NTSC standard
7	AUDIO_IN, audio input
8	AUDIO_OUT, audio output
9	CTRL, 100mbps network port for controlling
10~11	Two outputs, for connecting receivers, supports up to 650 thousand pixels

## Dimensions:



## Specifications:

Power	Input	AC 100-264VAC, 50/60Hz
	Power consumption	15W
Working temperature	Temperature	-20°C ~ 70°C
	Humidity	0%RH ~ 95%RH
Dimensions	Weight	Net weight 2.0kg Gross Weight 3.0kg
	Dimension	Device 482.6mm × 225.3mm × 44.5mm Package 505mm × 135mm × 360mm