

PRODUCT SPECIFICATION

Single/Dual color Wi-Fi LED control card
HD-W60

1. Overview

HD-W60 (referred to as W60) is a single/Dual color Wi-Fi control card for LED display for door header, store sign and other occasions, which can display text, clock, counting, timing and other kinds of contents, and support cell phone wireless connection to update the program. At the same time also comes standard with a USB interface for updating programs or debugging parameters via USB flash drive. Supporting software interface is simple, easy to operate, and at the same time has a low cost, high cost-effective and so on.

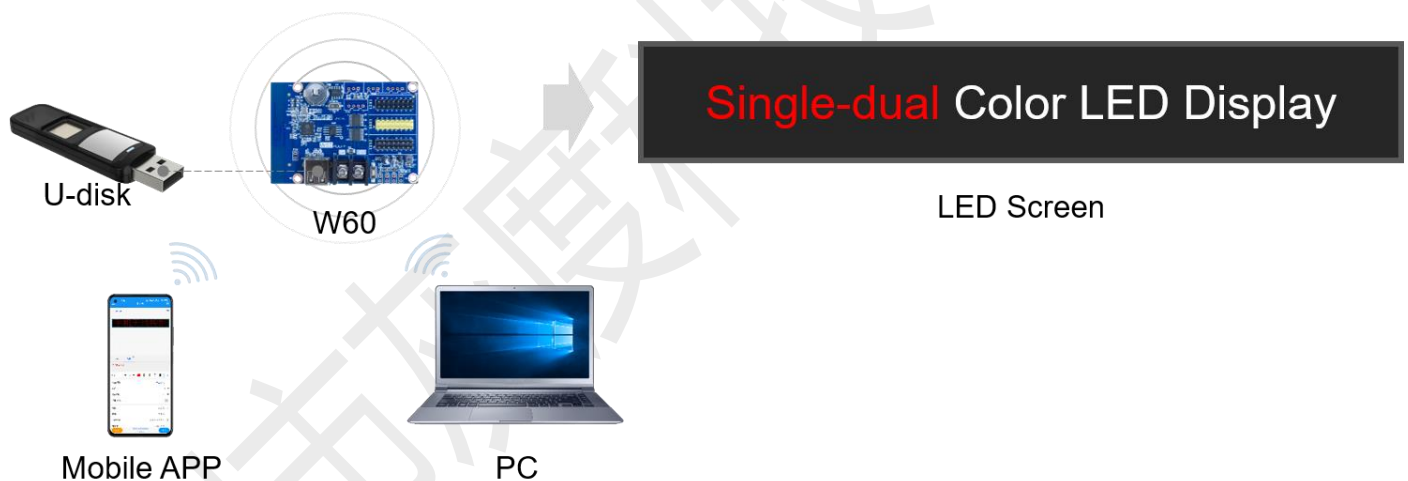
Application Software:

PC: HDSign (HD2020);

Mobile: "Ledart APP" and "Ledart lite APP";

2. Connection Diagram

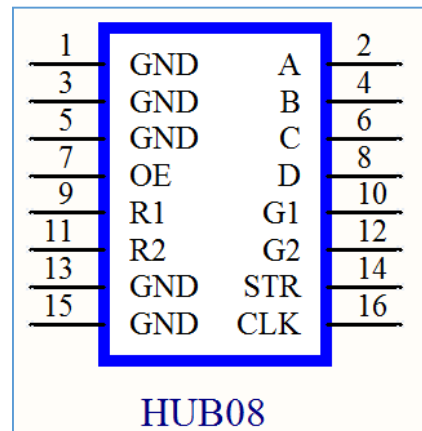
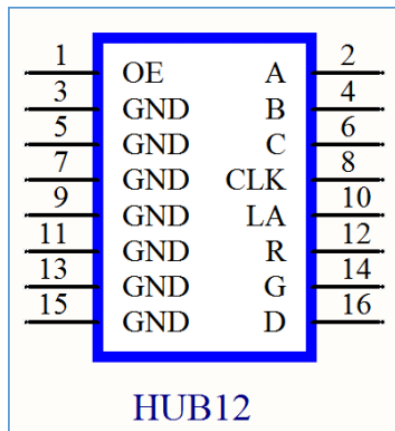
After the Wi-Fi control card is powered on, cell phones and laptops can connect to the control card's Wi-Fi hotspot for debugging or updating programs, and can also update programs via U-disk.



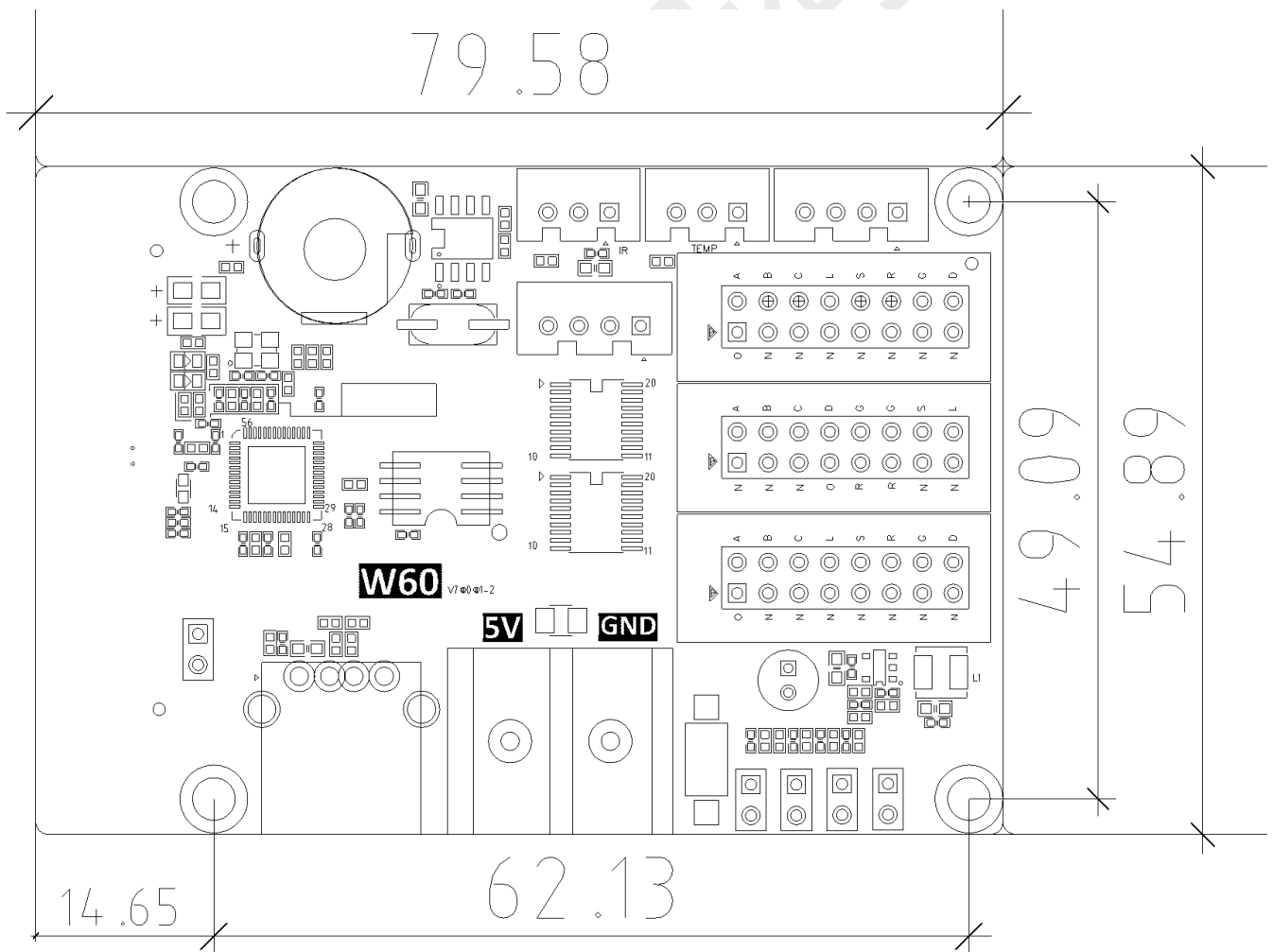
3. Function List

Content	Function description
Control range	Single color: 1024* 32, Max Width: 1536, Max Height: 32; Dual color: 512*32
FLASH Capacity	4M Byte (Practical usage 1M Byte)
Communication	U-disk Wi-Fi
Program Quantity	Max 1000pcs Programs.
Area Quantity	20 areas with separate zone, and separated special effects and border
Display Showing	Text, Animated characters, 3D characters, Graphics (pictures, SWF), Excel, Time, Temperature (temperature and humidity), Timing, Counting, Lunar calendar
Display	Sequence display, button switch, remote control
Clock Function	<ol style="list-style-type: none"> 1. Support Digital Clock/ Dial Clock / Lunar Time/ 2. Countdown /Count up, Button Countdown / Count up 3. The font, size, color and position can be set freely 4. Support multiple time zones
Expandable Devices	Temperature, humidity, remote control and light sensitivity sensors
Automatic Switch Screen	Support timer switch machine
Dimming	Supports three brightness adjustment modes: manual adjustment, automatic adjustment, adjustment by time period
Working Power	3W

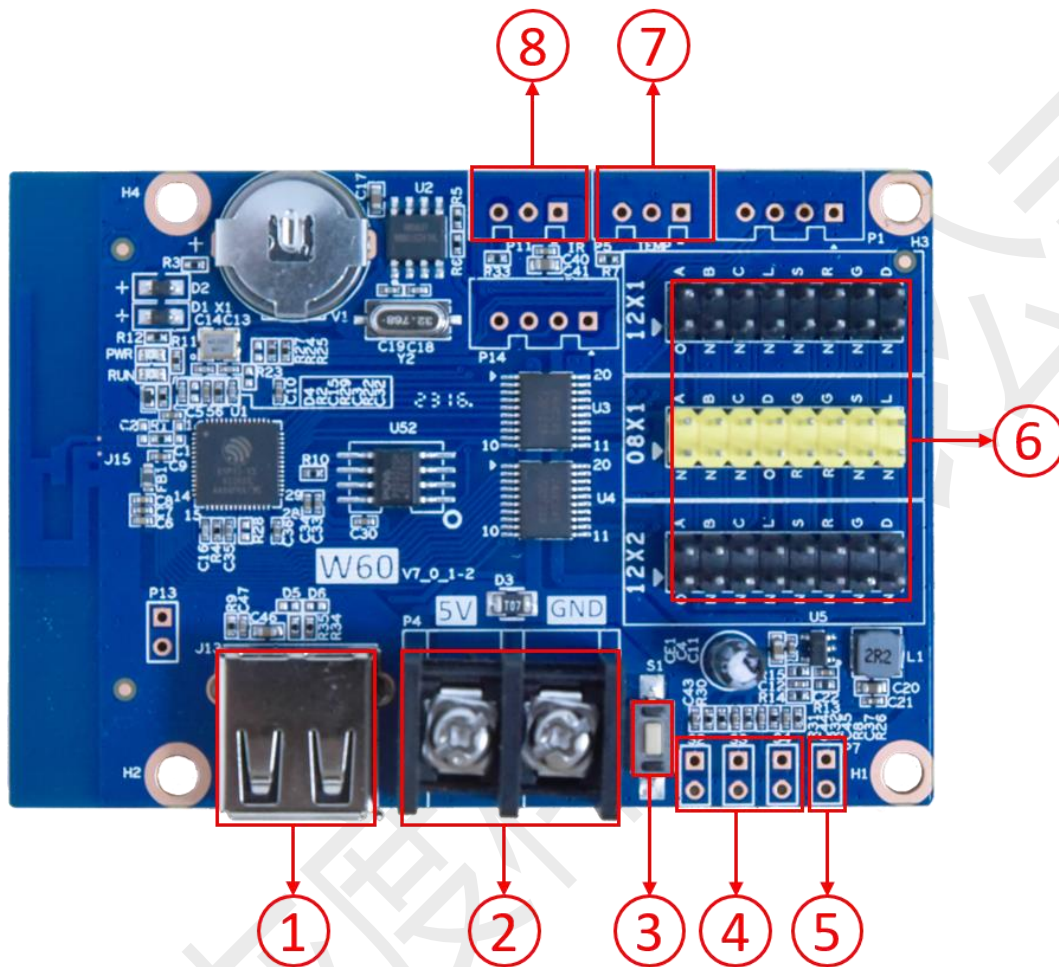
4. Port Definition



5. Size Diagram



6. Interface Description



Serial number	Name	Description
1	USB ports	Updated program by U-disk
2	Power inport	Connect to a 5V DC power supply
3	S1	click to switch screen test status
4	Keypad ports	S2:Connect the point switch, switch to the next program, the timer starts, count plus S3:Connect the point switch, switch the previous program, timer reset, count down S4:Connect the point switch, program control, timing pause, count reset
5	P7	Connected to a brightness sensor to automatically adjust the brightness of the LED display
6	HUB ports	2 HUB12, 1HUB08,For connecting to the display
7	P5	Connect the temperature/humidity sensor, display of the value on the LED screen
8	P11	Connect the IR, by remote control.

7. Basic Parameters

Parameter Term	Parameter Value
Work voltage (V)	DC 4.2V-5.5V
Work temperature (°C)	-40°C~80°C
Work humidity (RH)	0~95%RH
Storage temperature(°C)	-40°C~105°C

Precautions:

- 1) To ensure that the control card is stored during normal operation, make sure the battery on the control card is not loose;
- 2) In order to ensure the long-term stable operation of the system; please try to use the standard 5V power supply voltage.