

PRODUCT SPECIFICATION

Single/Dual-color USB LED control card
HD-U6A

V7.0

1. Overview

HD-U6A (referred to as U6A) is a monochrome LED display control card with USB interface communication, updating programs and debugging parameters via U-Disk. It can display text, clock, timekeeping, lunar calendar and so on. The supporting software has a simple interface, easy to operate, and at the same time, it is characterized by low cost and high cost performance.

Application Software:HDSign (HD2020);

2. Connection Diagram

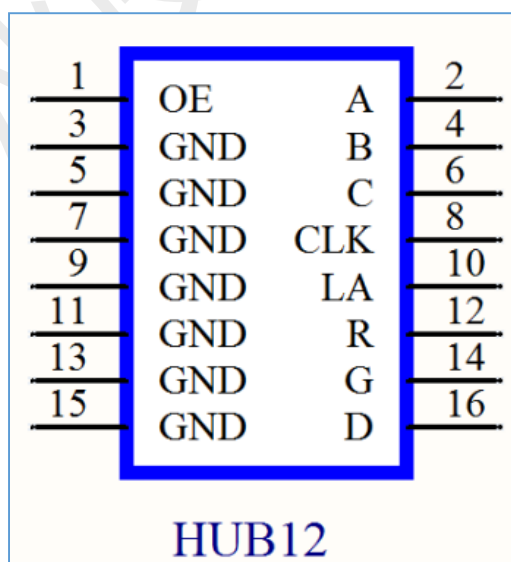


3. Function List

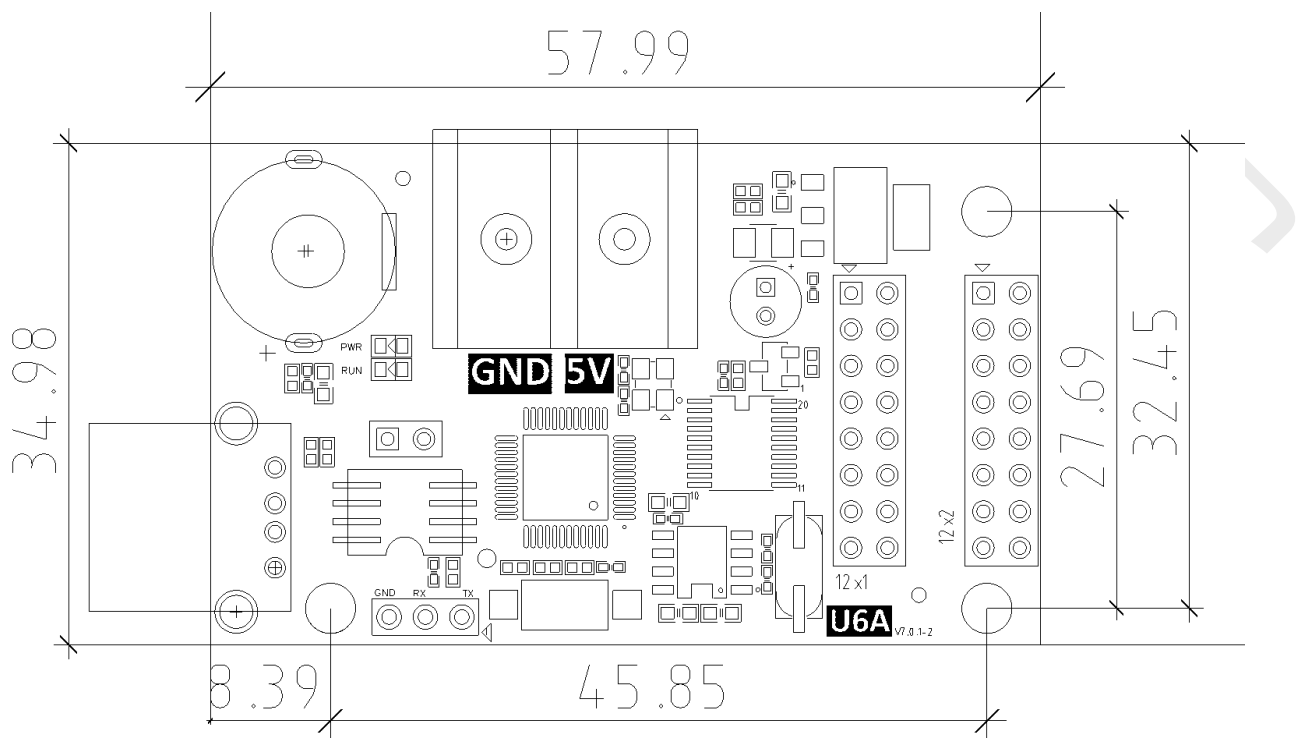
Functional item	Functional Description
Control Range	Single color: 320*32, Max Width: 320, Max Height: 32
FLASH Capacity	2M Byte (Practical usage)
Communication	U-Disk

Program Quantity	1000
Area Quantity	4 areas with separate zone, and separated special effects and border
Display Showing	Text、Animated text 、 Time、 Timekeeping、 Lunar calendar
Display	Sequence display
Clock Function	1、 Support Digital Clock/ Dial Clock / Lunar Time/ 2、 Countdown /Count up, Button Countdown / Count up 3、 The font、 size、 color and position can be set freely 4、 Support multiple time zones
Extended Equipment	/
Automatic Switch Screen	Support timer switch machine
Dimming	Support 2 brightness adjustment mode
Working Power	3W

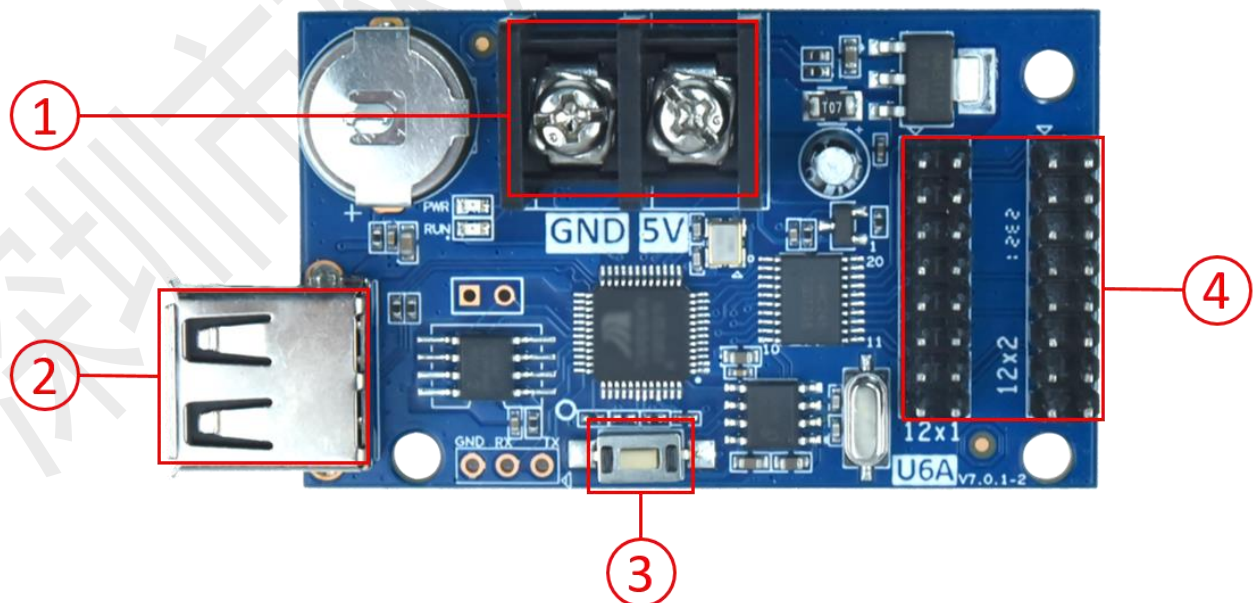
4. Port Definition



5. Size Diagram



6. Interface Description



Serial number	Name	Description
1	Power input	Connect to a 5V DC power supply
2	USB ports	Updated program by U-disk
3	S1	click to switch screen test status
4	HUB ports	2 HUB12,For connecting to the display

7. Basic Parameters

Parameter Term	Parameter Value
Work voltage (V)	DC 4.2V-5.5V
Work temperature (°C)	-40°C~80°C
Work humidity (RH)	0~95%RH
Storage temperature(°C)	-40°C~105°C

Precautions:

- 1) To ensure that the control card is stored during normal operation, make sure the battery on the control card is not loose;
- 2) In order to ensure the long-term stable operation of the system; please try to use the standard 5V power supply voltage.