

# PRODUCT SPECIFICATION

4K Super Master

**HD-A7**

V2.1

# 1. Product Overview

HD-A7 is a Dual-mode LED controller for Ultra-large resolution outdoor or indoor advertising, led wall, digital signage, and other commercial applications.

It support cloud control to play videos, pictures, texts, clocks, animated words, weather forecasts, etc. and it support optional mobile phone/tablet wireless screen projection. what is more, A7 also support for intelligent voice control.

HD-A7 also supports synchronous and asynchronous one-key switching playback, and users can set automatic switching and timing switching to change the playback mode. Support 4-channel video Synchronized playback display at the same time

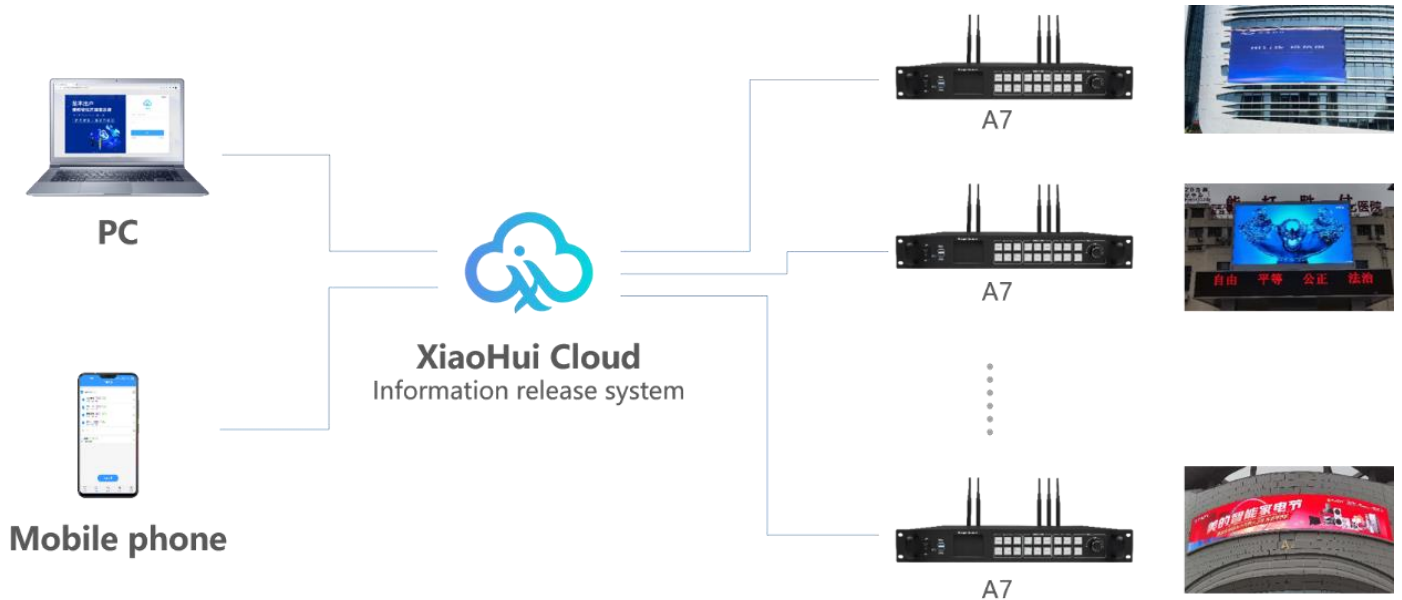
HD-A7 screen control is divided into 3 parts: HD-A7 playback box, receiving card, control software HDPlayer.

## Configuration list

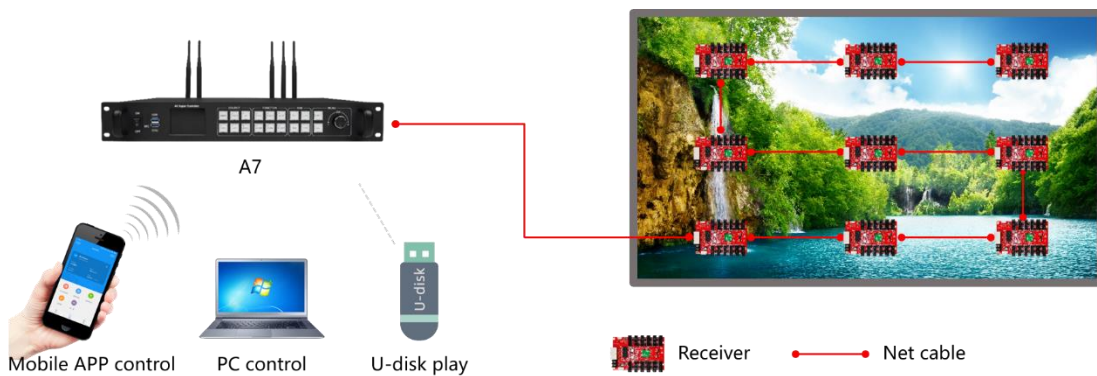
product Name	Model	Features
4K Controller	HD-A7	Program storage/play, display parameter set
Receiving Cards	HD-R Series	Connect the screen to display the program on the LED screen
Software	HDPlayer	Function settings, editing programs, sending programs, etc.
	Ledart APP	Mobile phone wireless update program, hardware parameter settings, etc.
	XiaoHui Cloud Software	Remotely publish programs, adjust brightness, etc.

## 2. Control Method

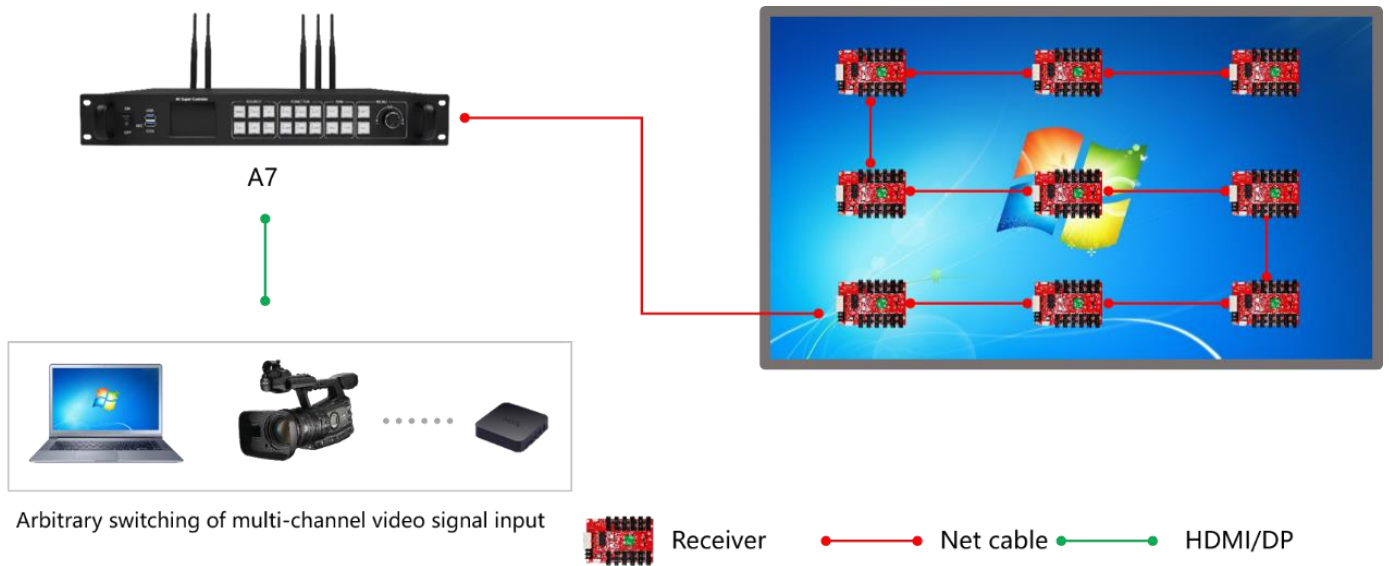
1. Internet remote cluster control: A7 controller can be connected to the Internet through 4G/5G (optional), network cable connection, and Wi-Fi Bridge (Station mode).



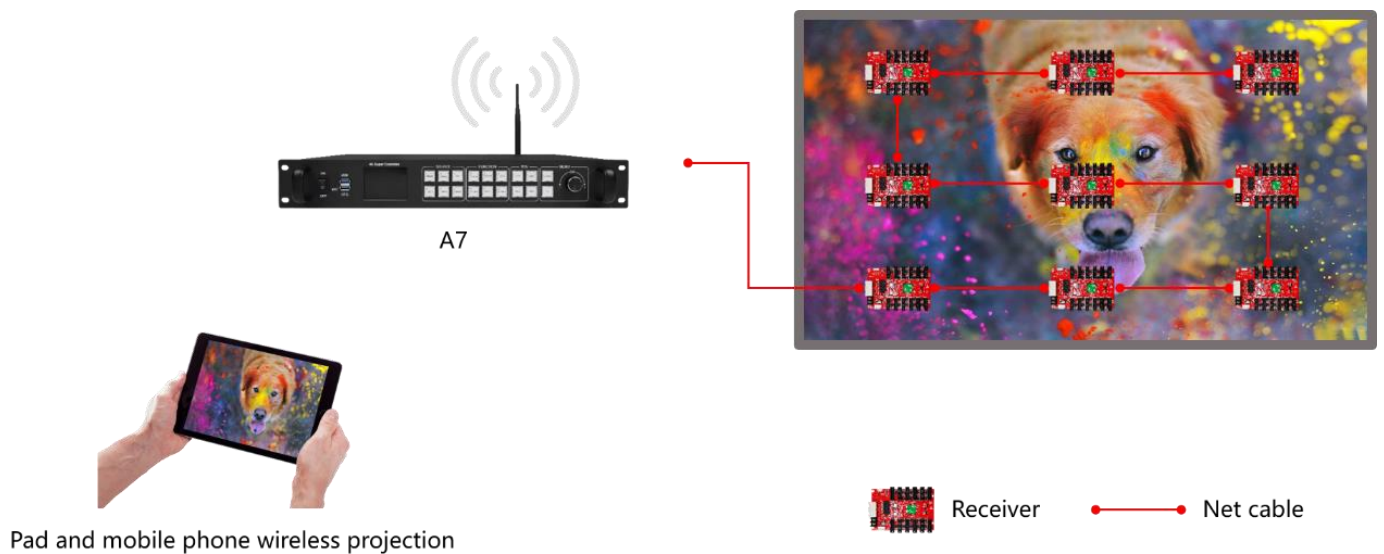
2. Asynchronous control: update the program through network cable connection, Wi-Fi connection and U disk. The local area network (cluster) control can be connected to the local area network network through network cable connection and Wi-Fi Bridge.



3. Real-time screen synchronization display: support HDMI/DP signal input synchronization playback, support 4 video screen playback and multi-channel synchronization signal switch arbitrarily.



4. Screen projection display: The display content of the mobile phone/tablet is wirelessly projected to the display screen (optional function).



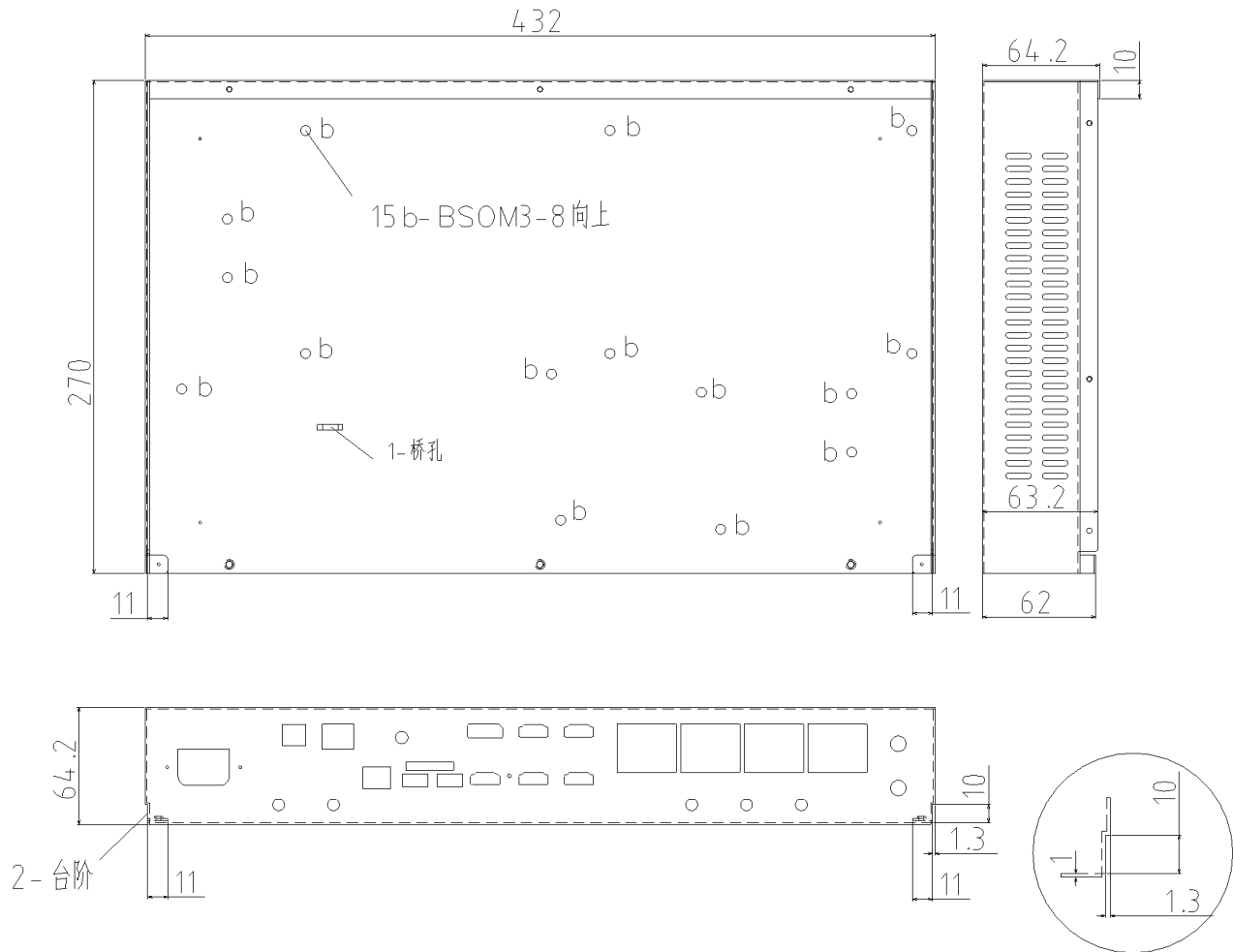
### 3. Product Features

- The maximum loading capacity is 5.2 million pixels, the widest is 15360 pixels.
- Equipped with dual-band Wi-Fi, support mobile APP wireless control.
- Supports wireless screen projection on mobile phones and tablets.
- Support intelligent voice control, Bluetooth wireless remote control.
- With 32GB storage, support U disk expansion and insertion.
- HDMI/DP high-definition video input synchronous playback.
- Support HD video hard decoding.
- No need for complex network settings, automatic device identification, plug and play.
- Support LAN or Internet cluster management, support optional 5G network module.
- Equipped with Standard 3.5mm standard audio output interface.

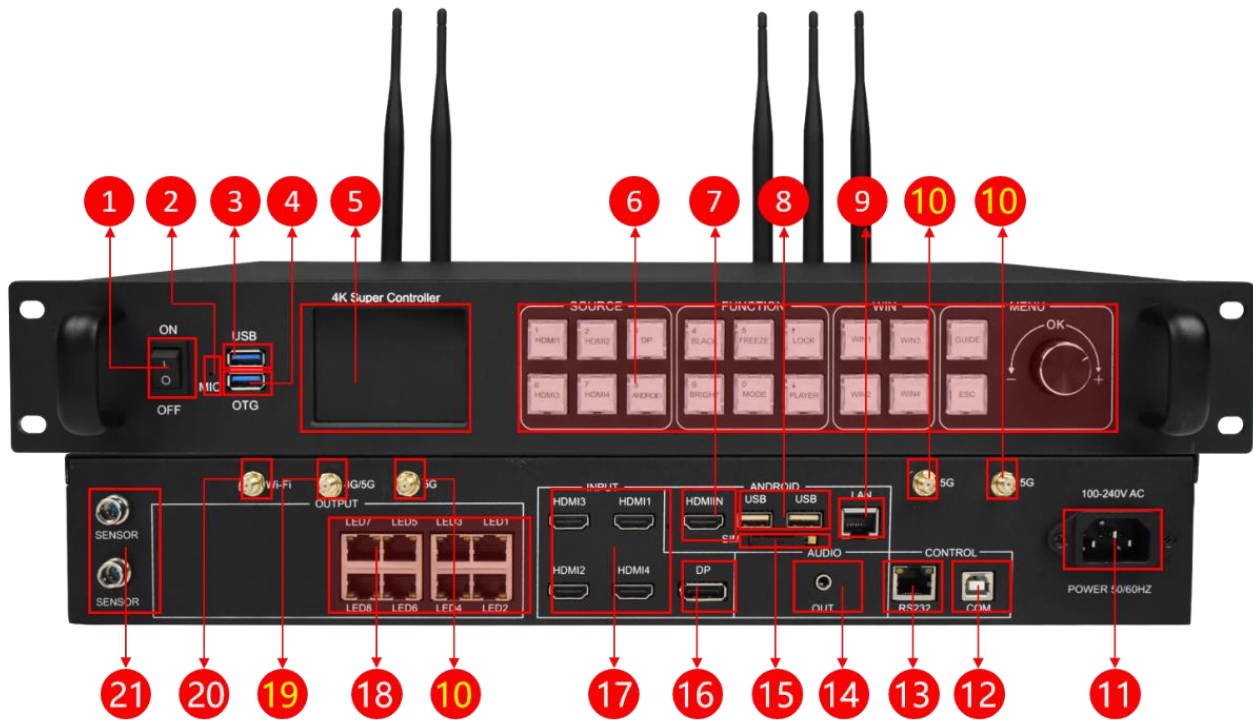
## 4. System Function List

Function	Parameter
<b>loading capacity</b>	Asynchronous mode: 5.16 million pixels, the max width 15360, Synchronous mode: 5.2 million pixels, the max width is 16000.
<b>Display Function</b>	Support basic functions such as video, picture, Gif animation, text, office document, clock, timing, etc., support HTML and video streaming, Support 1 channels of 4K video playback or 4 channels of 1080P video playback, Support external remote control, temperature, humidity, brightness, noise, PM value, GPS and other extended functions.
<b>Video format</b>	Support HD video hard decoding, up to 60Hz frame rate output, Supports all common formats such as AVI, WMV, RMVB, MP4, 3GP, ASF, MPG, FLV, F4V, MKV, MOV, DAT, VOB, TRP, TS, WEBM, etc.
<b>Image Format</b>	Support BMP, GIF, JPG, JPEG, PNG, PBM, PGM, PPM, XPM, XBM, etc.
<b>Text</b>	It supports text editing, image insertion, and direct import of text such as word, txt, rtf, and html.
<b>Documentation</b>	Support DOC, DOCX, XLSX, XLS, PPT, PPTX and other Office2007 document formats.
<b>Clock</b>	Supports analog clock, digital clock and various dial clock functions.
<b>Audio</b>	HDMI audio input, two-channel stereo output.
<b>Storage capacity</b>	Equipped with 32GB storage, and support for U disk expansion.
<b>Communication type</b>	Ethernet port, U disk, Wi-Fi, 4G/5G (optional), HDMI/DP synchronization.
<b>voice control</b>	Screen on/off, program switching, playing program, brightness setting, volume adjustment, etc.
<b>Wireless projection</b>	Mobile, tablet.
<b>Interface</b>	IN: AC 100~240V, USB3.0*1, USB2.0*2, OTG*1, RJ45*1, RS232*1, HDMI*5, DP*1, Sensor*2, Audio*1, OUT: RJ45*8, Audio*1.
<b>Working power</b>	72W

## 5. Size Description



## 6. Appearance Description



1. Power switch: control the on and off of the AC power supply of the player box.
2. MIC interface: voice control microphone input.
3. USB 3.0 interface: directly programs playback or expand storage capacity.
4. OTG: debugging and firmware upgrade.
5. LCD screen: used to display parameters.
6. Function keys: set the parameters of the playback box, signal switching, etc.,
7. HDMI input: synchronous mode signal input interface, which can be mixed with asynchronous mode.
8. USB 2.0: directly programs playback or expand storage capacity.
9. LAN: debugging interface, which can be connected to the Internet and local area network.
10. Antenna interface: the interface for connecting an external 5G antenna (not standard).
11. Power interface: connect 100~240V AC power supply.
12. Debugging interface: used to debug the parameters of the display screen and connect to the computer through USB-B.
13. Serial port: RS232 serial port communication and control.



14. Audio interface: TRS 3.5mm standard two-channel audio output interface.
15. Standard SIM card slot: insert 4G/5G card for networking.
16. DP input: synchronous signal input interface.
17. HDMI input: synchronous signal input, can be connected to computers, set-top boxes and other equipment, timing synchronization playback.
18. RJ45 output: connect the receiving card.
19. Antenna interface: an interface for connecting an external 4G or 5G antenna (not standard),
20. Antenna interface: the interface for connecting the Wi-Fi antenna.
21. Sensor interface: The interface for connecting various sensors, such as environmental monitoring equipment, multi-function sensors, etc.

## 7. Basic Parameters

Item	Parameters value
Rated Voltage (V)	AC 110V-240V
Working Temperature (°C)	-10°C~40°C
Working Environment Humidity (RH)	0~95%RH
Storage Environment Humidity (RH)	0~95%RH
Weight	4.74kg