



PRODUCT SPECIFICATION

LCD Android Box
HD-40S-BOX

Version: V1.2

Update History:

Version	Release time	Description
V1.2	Sep. 9, 2023	Updated product name.
V1.1	Aug. 30, 2023	First official release.

Shenzhen Huidu Technology Co., Ltd.

Contents

Chapter I Product Description.....	4
I . Overview.....	4
II. Features.....	4
Chapter II Specifications	5
I . Basic Parameters.....	5
1. Hardware Parameters	5
2. Software Parameters.....	6
II. Product Size Specifications	7
III. Schematic Diagram of Product Interface.....	8
IV. Interface Parameter Description	8
1. PWR / DC (power input) Interface.....	8
2. HDMI Output.....	9
3. LAN Port.....	9
4. Audio Interface	9
5. TF Card Slot	10
6. OTG Port.....	10
7. USB Port	10
8. Wi-Fi Antenna Port	11
9. IR Receiver Port.....	11
Chapter III Communication Methods.....	12
I. Update Programs by Wi-Fi	12
II. Update Program with U-disk	12
III. Update Program by TF Card.....	13
IV. Update Programs with LAN	13
V. Update Programs by the Internet	14
Chapter IV Appendix: Product Appearance	14

Chapter I Product Description

I. Overview

HD-40S-BOX is a well-built LCD digital signage motherboard, using A40i quad-core chip solution, equipped with Android 7.1.2 system, the highest frequency is 1.2GHz, and Mail-400MP2 GPU is adopted, which can be compatible with most video formats and decoding capabilities. And it comes with Wi-Fi module, support mobile APP point-to-point wireless messaging; RJ45 interface can be connected to the Internet or LAN to realize network cluster management. HD-40S-BOX is widely used in the control of LCD display screens in security, medical, transportation, finance, industrial control and other fields.

II. Features

- **High stability.** The A40i Android integrated board adds its own unique technology to the hardware and software to ensure the stability of the product, which can make the final product reach 7*24 hours unattended.
- **High integration.** integrates functions such as Ethernet, Wi-Fi, power amplifier, TF expansion card, USB expansion port, HDMI, etc., which greatly simplifies the installation of the whole machine
- **Cluster management.** Support the unified management of multiple LCD screens in the local area network and the Internet.
- **High definition.** Supports LCD display screens with HDMI interface, and supports cropping screens of various sizes and resolutions.

Chapter II Specifications

I . Basic Parameters

1. Hardware Parameters

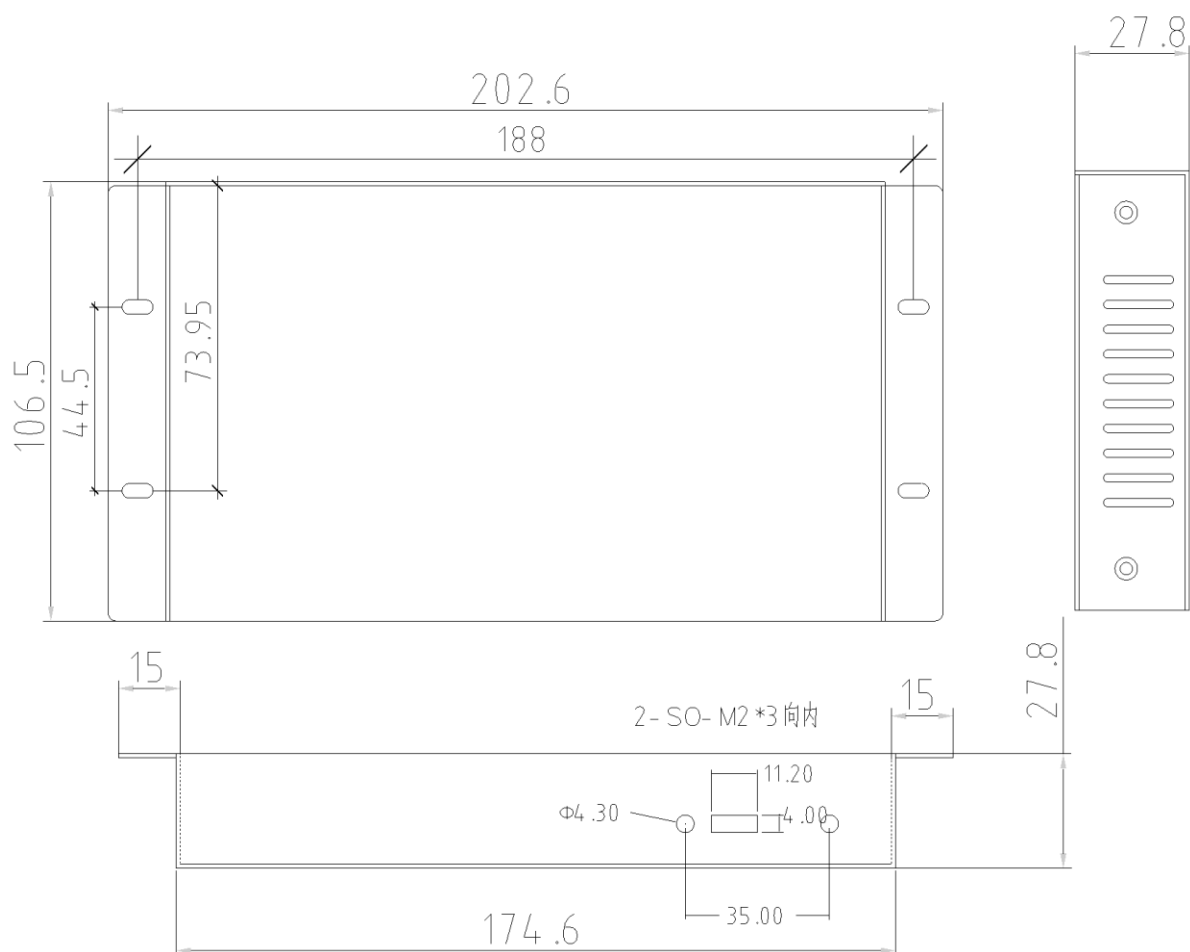
Hardware Parameters	
CPU	A40i, Quad-core, Dominant Frequency up to 1.2GHz, Android7.1.1
GPU	Mali-T764 GPU MP4 Quad-core GPU Support OpenGL ES1.1/2.0,OpenVG1.1,OpenCL
RAM / Storage	Standard 1G+16G
Network	Support RJ45 R/A 100M Support 2.4G Wi-Fi, support Wi-Fi 802.11b/g/n protocol.
Image Rotation	Support 0 degree, 90 degree, 180 degree, 270 degree manual rotation
Display Interface	1 * HDMI interface output
Audio	Support standard left & right channel line output
RTC	Built-in real-time clock function
USB	1 * USB 2.0 HOST, 1 * USB 2.0 or OTG
LED	1*power status LED(green),1*system LED(green blinking in default)
Button	1 * Recovery button
Storage Humid	10%~90% RH
Storage Temp	-40℃~70℃
Work Temp	-20℃~70℃

2. Software Parameters

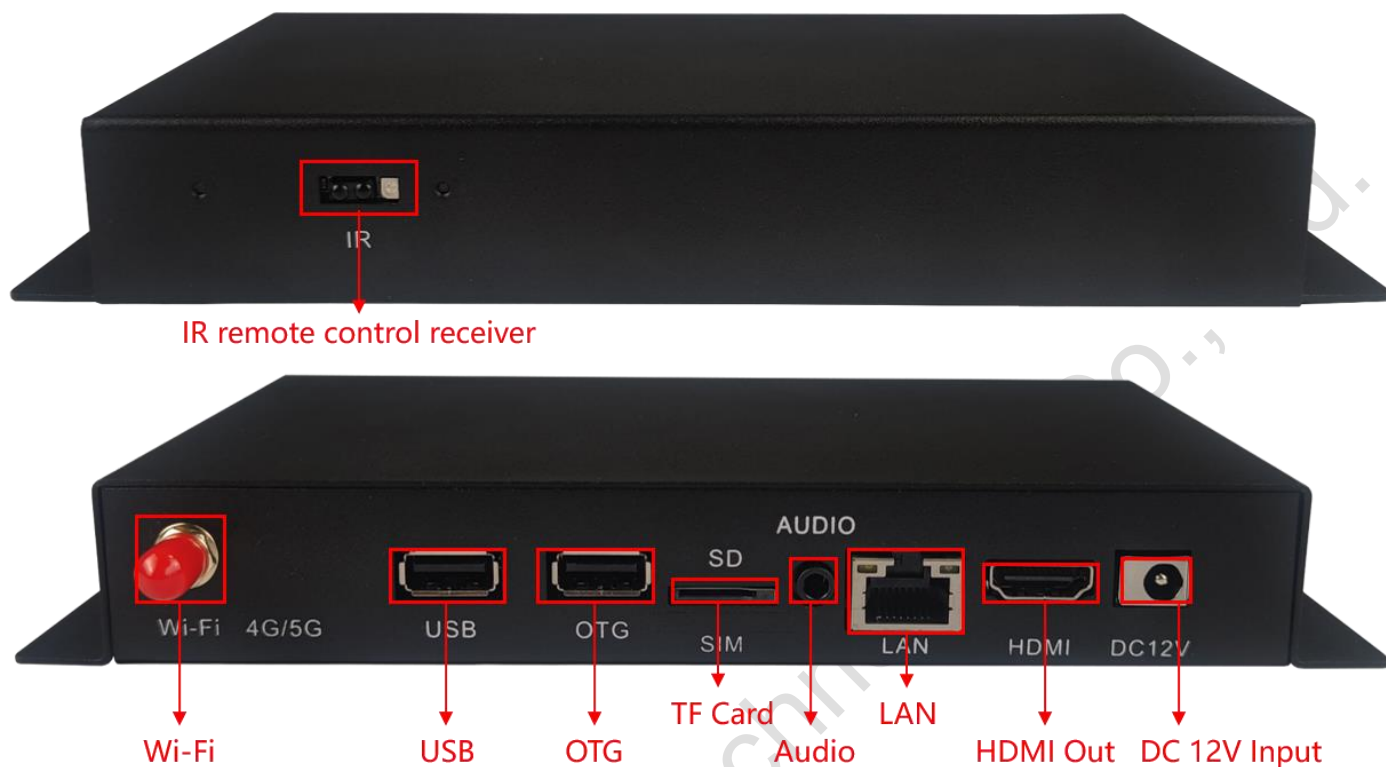
Software Parameters	
Operating system	Android 7.1.2
Audio	MP3,WMA,WAV, APE, FLAC, AAC, OGG,M4A,3GPP, etc.
Video	Support AVI, rm, rmvb, MKV, WMV, MOV, MP4, DAT, PMP, MPEG, MPG, FLV, ASF, TS, TP, 3GP, MPG and other video formats
Image	Support JPG、BMP、PNG and other image formats
System comes with application software	APK installer, email, calculator, browser, recorder, calendar, settings, clock, video player, search, contacts, gallery, download, camera, music, explorer, etc.
Language	support multi-language
Typewriting	Standard Android keyboard, optional third-party input method
System Management	The original ecological Android system, open root permissions, can be customized product development
	Real-time remote monitoring, self-recovery of system crash, 7 * 24 hours unattended
	Support OTA remote upgrade; support U-disk upgrade
	Support boot animation definition
	Support server / standalone mode switch
	Support Wi-Fi hotspot
System watchdog	Support software watchdog

II. Product Size Specifications

Side interface size (boxed)



III. Schematic Diagram of Product Interface



IV. Interface Parameter Description

1. PWR / DC (power input) Interface

12V DC power supply is used to supply power to the board subsystem only from the DC socket and power Socket.



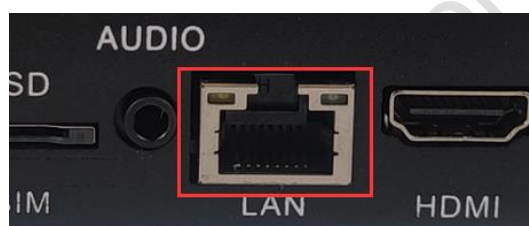
2. HDMI Output

Connect to the LCD screen for program display



3. LAN Port

Connect to the Internet/LAN to realize Internet remote cluster management and LAN cluster management.



4. Audio Interface

1. Standard 3.5mm dual-channel audio interface, which can be directly connected to low-power speakers or amplifiers.
2. The reset hole is hidden in the audio port. Long press with a long reset needle to restore the factory settings.



5. TF Card Slot

Insert the TF card to update the program content.



6. OTG Port

Upgrade firmware and other functions, In the system use the toolbox can be changed OTG/USB mode.



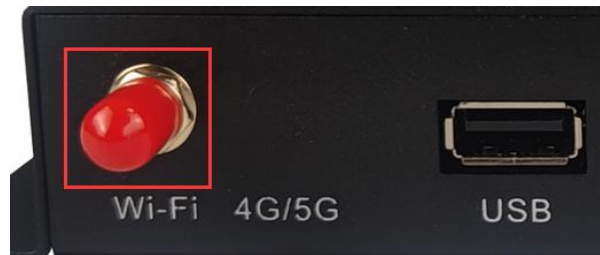
7. USB Port

Insert the U disk to update the program of the display screen.



8. Wi-Fi Antenna Port

Connect Wi-Fi antenna to enhance Wi-Fi signal.



9. IR Receiver Port

Receiving remote control signal, setting and programs switching.



Chapter III Communication Methods

I. Update Programs by Wi-Fi



II. Update Program with U-disk



U-disk update programs

Support Interstitial & memory expansion



III. Update Program by TF Card



TF card update programs

Support Interstitial & memory expansion



IV. Update Programs with LAN

LAN or Internet

Network cable connection

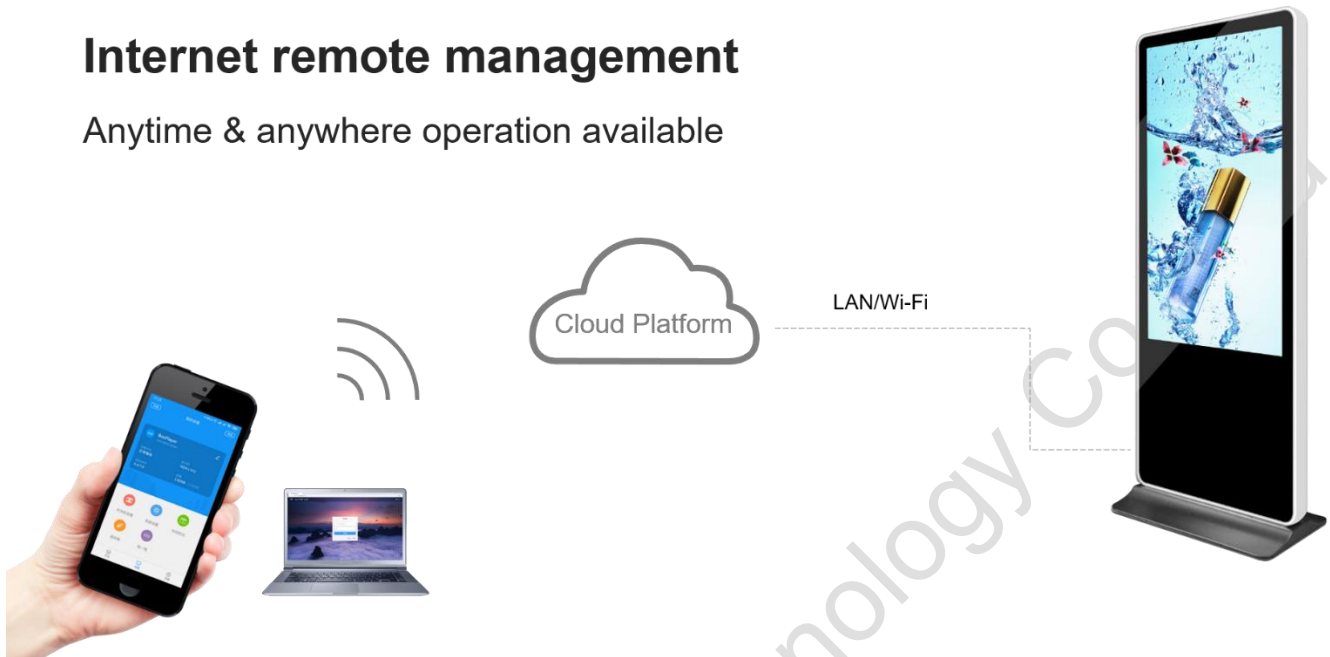
LAN & Internet integrated management



V. Update Programs by the Internet

Internet remote management

Anytime & anywhere operation available



Chapter IV Appendix: Product Appearance





Note:

1. The 4G module is an optional accessory, installed in the playback box before leaving the factory;
2. Non-standard features, the picture of the specification may be slightly different from the actual product, if you have any questions, please contact Huidu Technology for confirmation.